

ALLIANCE

TRUCK AND TANK
LPG, NGL & NH3 STORAGE SOLUTIONS

LPG/NH3 Transport Trailer



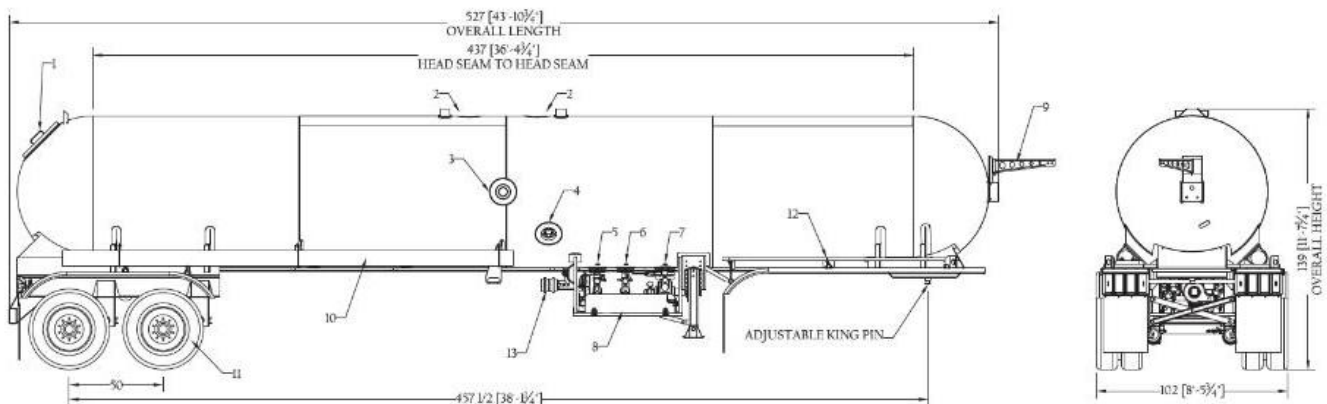
DESIGNED TO PERFORM

The LPG Transport Trailer is designed for performance, ease of operation and safety. Built in accordance with ASME Section VIII, Div. 1, D.O.T. specification MC331, and NFPA 58.

SPECIFICATIONS:

- 10,600, 11,600 & 12,600 Gallon Capacity
- See back. Specifications subject to change.*

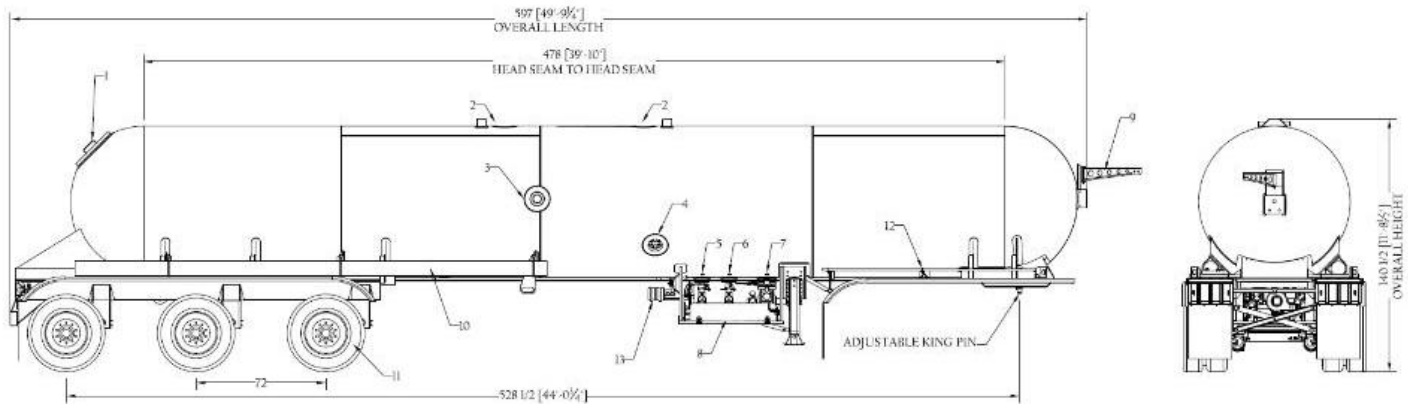
10,600 SHOWN BELOW



AllianceTruckandTank.com 800-632-2038

LPG/NH3 Transport Trailer

12,600 SHOWN BELOW



CAPACITY: 10,600 GALLONS

- Overall length: 44'
- SA 517 Steel; MAWP: 265 PSIG @ -20°F/125°F. Built in accordance with ASME Section VIII, Division 1, D.O.T. specification MC331 and NFPA 58
- Subframe and Upper Coupler constructed of 1/4" steel
- Suspension: 2 axle, air ride with integrated axles, 77-1/2" track width
- Wheels: 24.5" X 8.25" steel
- Kingpin: bolted adjustable kingpin plate, 3" increments
- 4" Blackmer vane pump hydraulically driven
- Gauges: level gauges set at 83%, 85%, 86.5%, and 90%, 4" dial float gauge, 0-400 psi glycerin filled pressure gauge, and -40°F/120°F dial thermometer all installed in recess well on the curb-side
- Estimated weight: 22,800 lbs

CAPACITY: 11,600 GALLONS

- Overall length: 43'
- 84" OD dot. Specification MC-331
- Design pressure: 250 PSIG working pressure
- Operating temperature: -20°F/125°F
- Subframe: front and rear subframes constructed of 1/4" steel
- Suspension: 2 axle, air ride with integrated axles, 77-1/2" track width
- Wheels: 22.5" X 8.25" aluminum disc wheels (6)
- Kingpin: bolted adjustable kingpin plate, 3" increments
- Gauges: visual percentage gauge, (4) fixed outage gauges set at 82%, 85%, 86.5%, and 90%, 0-300# liquid filled pressure gauge, and thermometer all installed in recess well on the curb-side
- Estimated weight: 21,500 lbs

CAPACITY: 12,600 GALLONS

- Overall length: 49' 4"
- SA 517 Steel; MAWP: 250 PSIG @ -20°F/125°F. Built in accordance with ASME Section VIII, Division 1, D.O.T. specification MC331 and NFPA 58
- Subframe and Upper Coupler constructed of 1/4" steel
- Suspension: 3 axle, air ride with integrated axles, 77-1/2" track width
- Wheels: 24.5" X 8.25" steel
- Kingpin: bolted adjustable kingpin plate, 3" increments
- 4" Blackmer vane pump hydraulically driven
- Gauges: level gauges set at 83%, 85%, 86.5%, and 90%, 4" dial float gauge, 0-400 psi glycerin filled pressure gauge, and -40°F/120°F dial thermometer all installed in recess well on the curb-side
- Estimated weight: 27,200 lbs