

# ALLIANCE

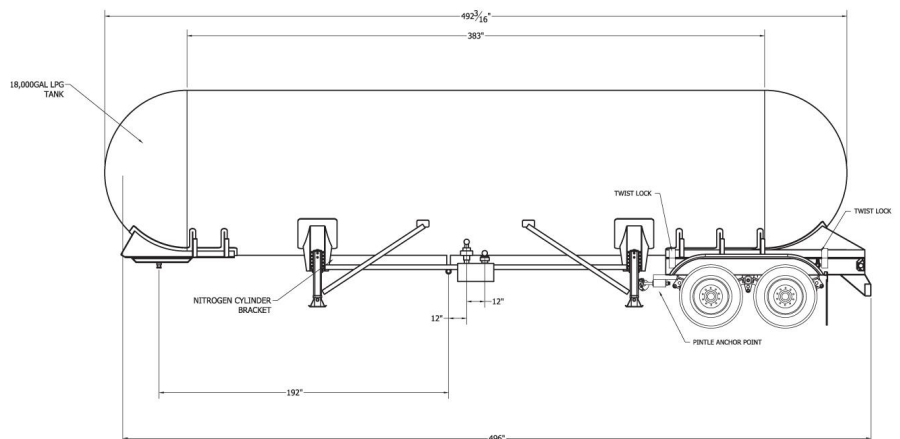
TRUCK AND TANK  
LPG, NGL & NH3 STORAGE SOLUTIONS

## 18,000 Gallon NGL/LPG Porta Pak



### SPECIFICATIONS:

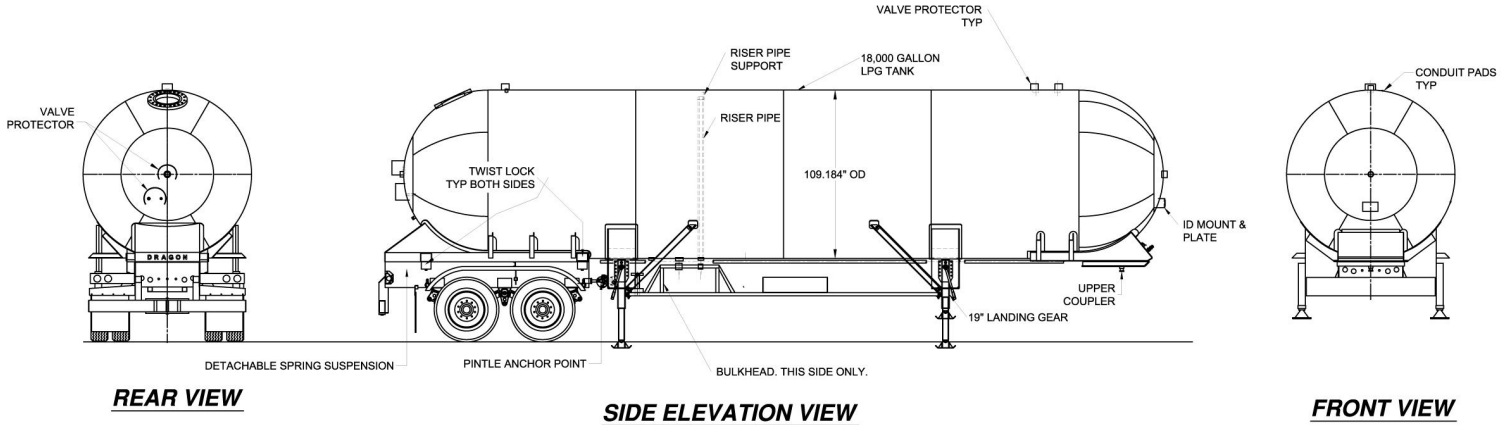
- New manufactured tank
- ASME Section VIII/Div code compliant
- National board certified
- Fully valved at factory and leak tested
- Prompt deliveries
- Built to tough, oil field rugged construction standard



***Harsh, equipment-punishing environments are where Porta Pak's feel most at home. This production / surface equipment is severe-duty engineered to get the job done at shale plays and in the oil fields across North America.***

**AllianceTruckandTank.com 800-632-2038**

# 18,000 Gallon NGL/LPG Porta Pak



**REAR VIEW**

**SIDE ELEVATION VIEW**

**FRONT VIEW**

- Internal valves are thermal kill, pneumatic kill and excess flow kill
- Remote pneumatic kill on stand with 30' of hose and bracket for mounting while vessel is being transported
- Bracket for nitrogen bottle and customer air supply quick connect for pneumatic kill
- Landing gear stabilizing struts for added stability
- Trailer fully wired and plumbed with standard tractor connections
- All safety decals and placards to meet DOT and NFPA
- Pintle Anchor and container locks to provide redundant removable axle assembly attachment
- Junction box mounted and wired for high level switch on frame
- All valves and components listed are Marshall-Excelsior or equivalent
- 2" LIQUID IN has back-flow check valve in tank , 2" sight flow back check and 2" globe valve on driver side of vessel
- BULKHEAD located on curb side has 2" Liquid out and 1-1/4" Vapor with Tripod pull aways, 2" and 1-1/4" angle valves located in lock box for managing any unauthorized unloading
- One liquid and one vapor outlet with valves and excess flow for dewatering
- In addition to 30' remote pneumatic kill, a pneumatic kill is also located on bulkhead
- Combination valve conveniently located for ease of checking tank level without ladder
- Low voltage high level switch can be wired normally open or normally closed with the customer connection junction box located on frame
- Rugged tank volume gage is designed to withstand shock loading when tank is transported empty to maintain accuracy
- Optional Urethane paint over standard included epoxy primer